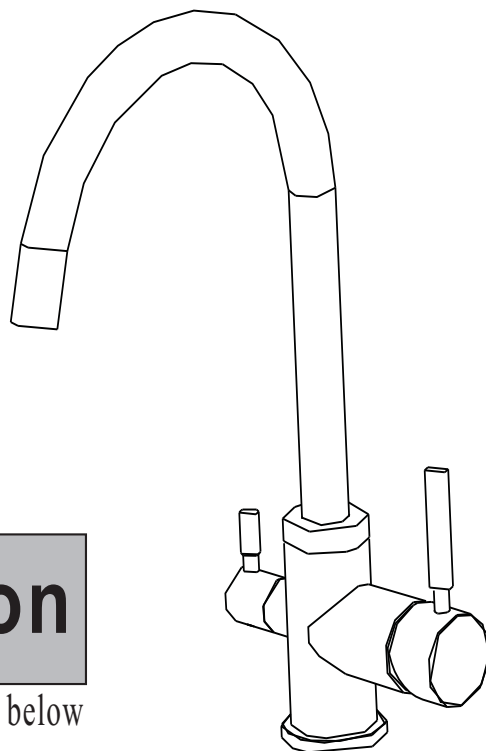


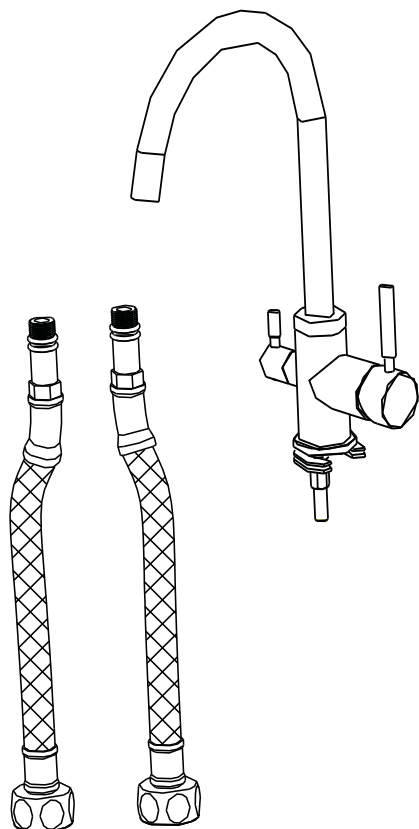
# Installation Instruction

## Three Way Kitchen Faucet

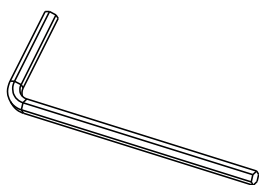


### Before your installation

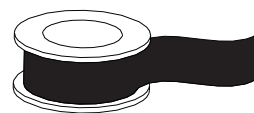
please check to make sure you have the following parts indicated below



### Tools you will need



Allen wrench (2.5mm)



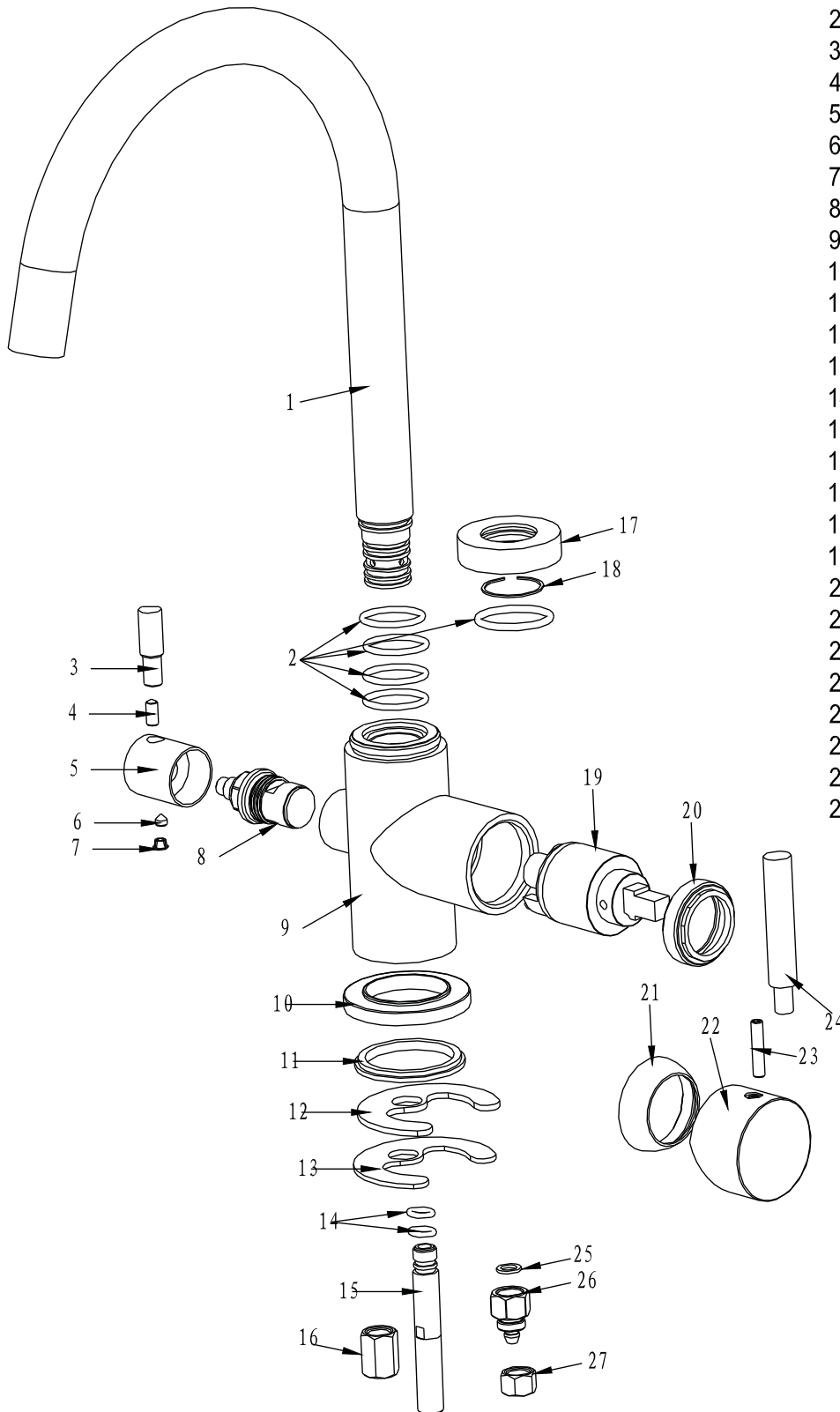
Pipe tape



Monkey wrench

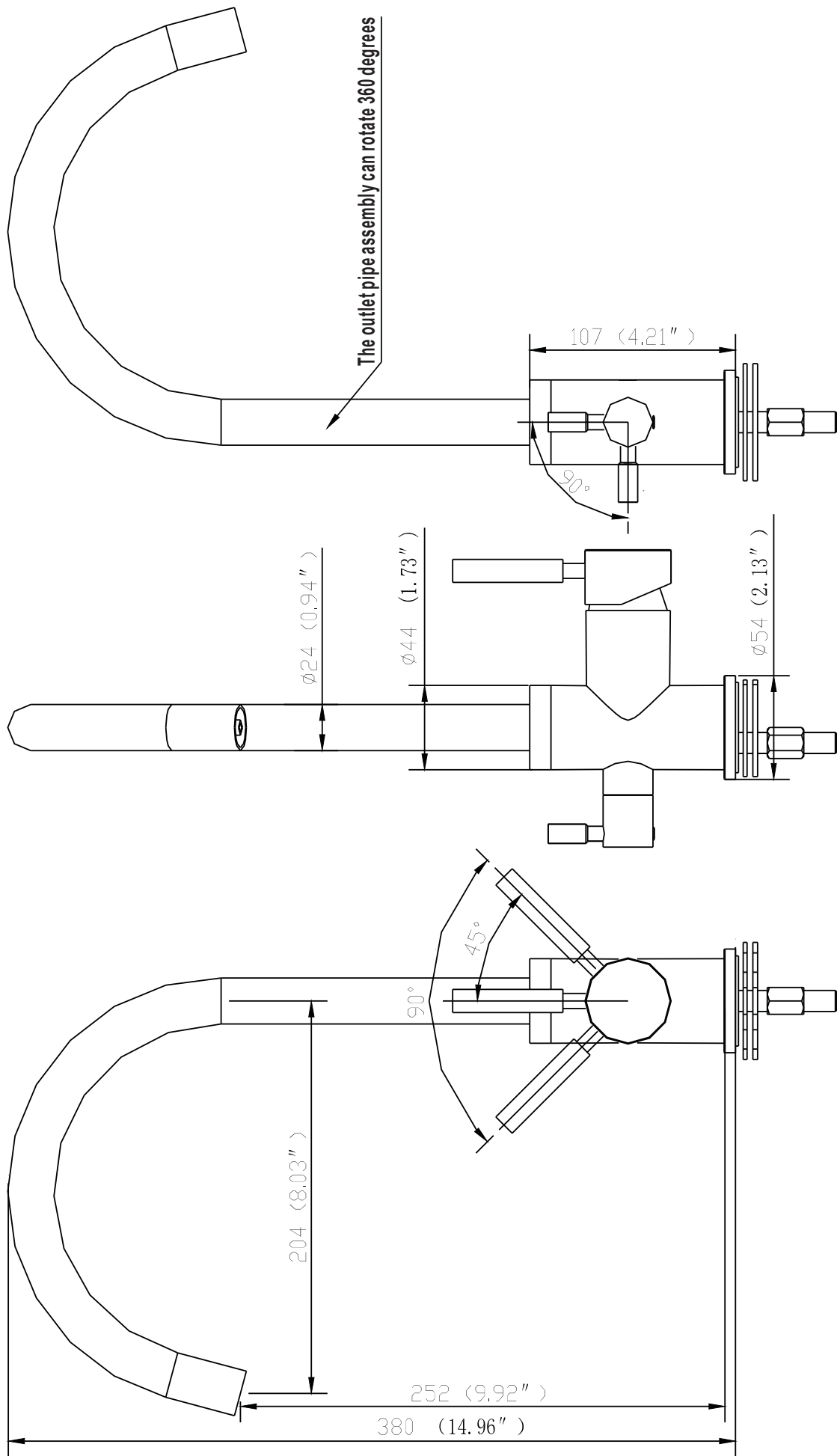
# Product Parts Details

Keep this manual for ordering replacement parts



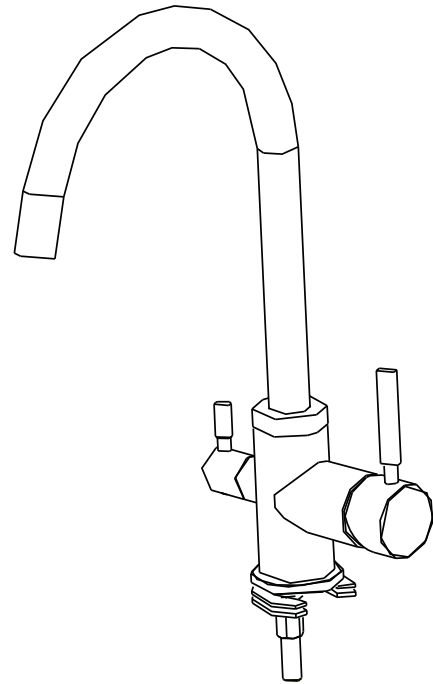
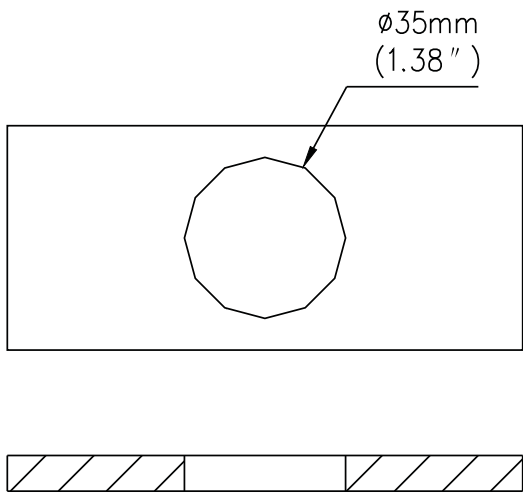
- | NO  | NAME                   |
|-----|------------------------|
| 1.  | Spout assembly         |
| 2.  | O-ring                 |
| 3.  | Handle knob            |
| 4.  | Screw                  |
| 5.  | Handle                 |
| 6.  | Locking screw          |
| 7.  | Handle plugs           |
| 8.  | Cartridge              |
| 9.  | Female allen screw     |
| 10. | Index                  |
| 11. | Rubber pad             |
| 12. | Rubber pad             |
| 13. | Stainless steel gasket |
| 14. | O-ring                 |
| 15. | Inlet pipe             |
| 16. | Nut                    |
| 17. | Copper sleeve          |
| 18. | Gasket                 |
| 19. | Cartridge              |
| 20. | Cartridge platen       |
| 21. | Head cover             |
| 22. | Handle body            |
| 23. | Screw                  |
| 24. | Handle knob            |
| 25. | Flat washers           |
| 26. | Coupling nut           |
| 27. | Locking nut            |

# Product Dimension Drawing

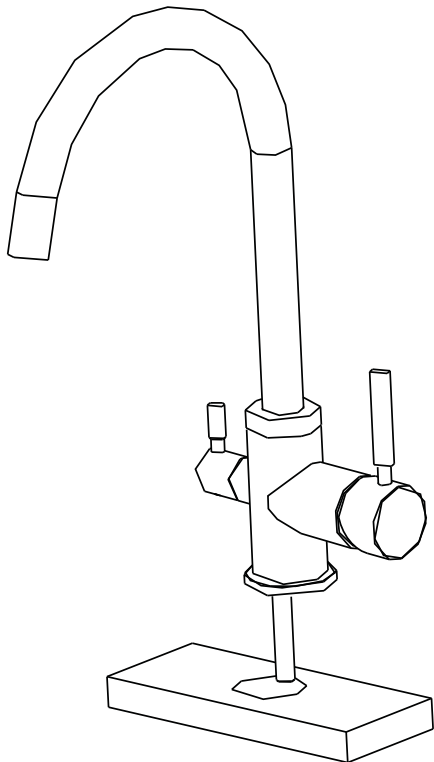


# Faucet Installation Procedures

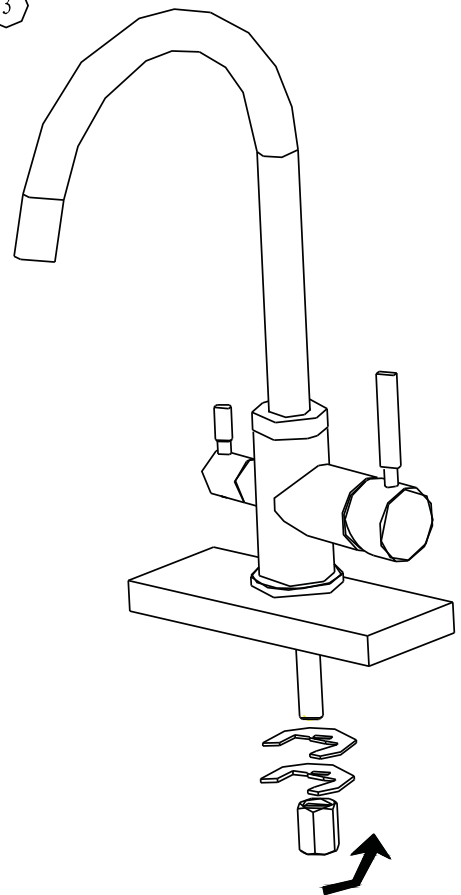
Step ①



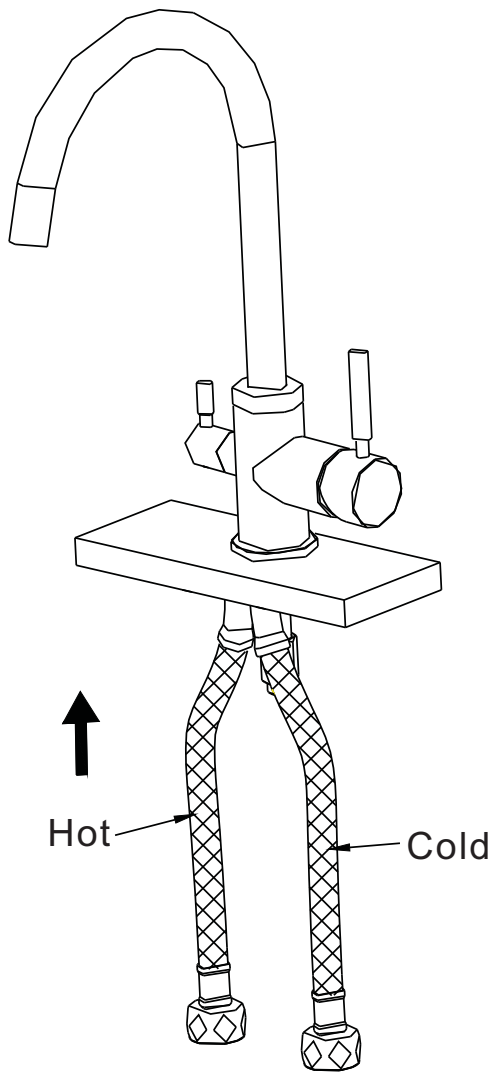
Step ②



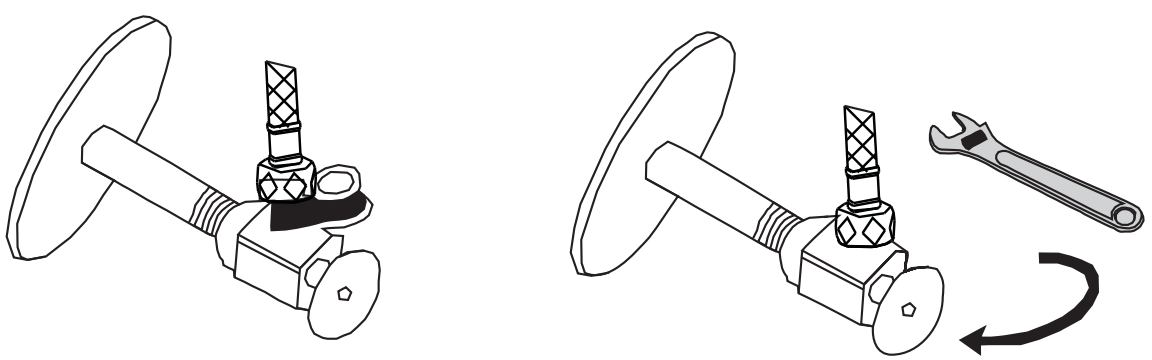
Step ③



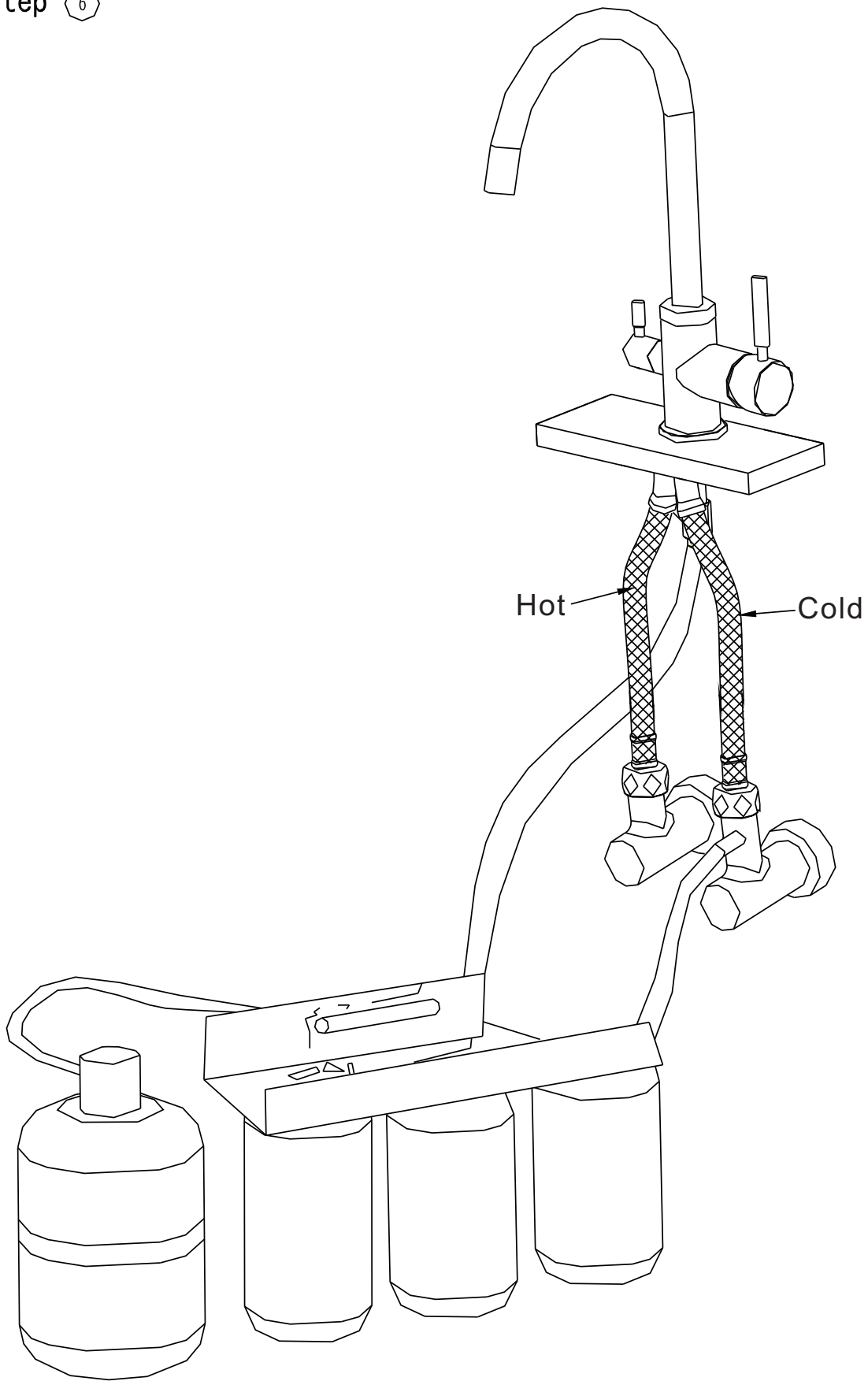
Step 4



Step 5

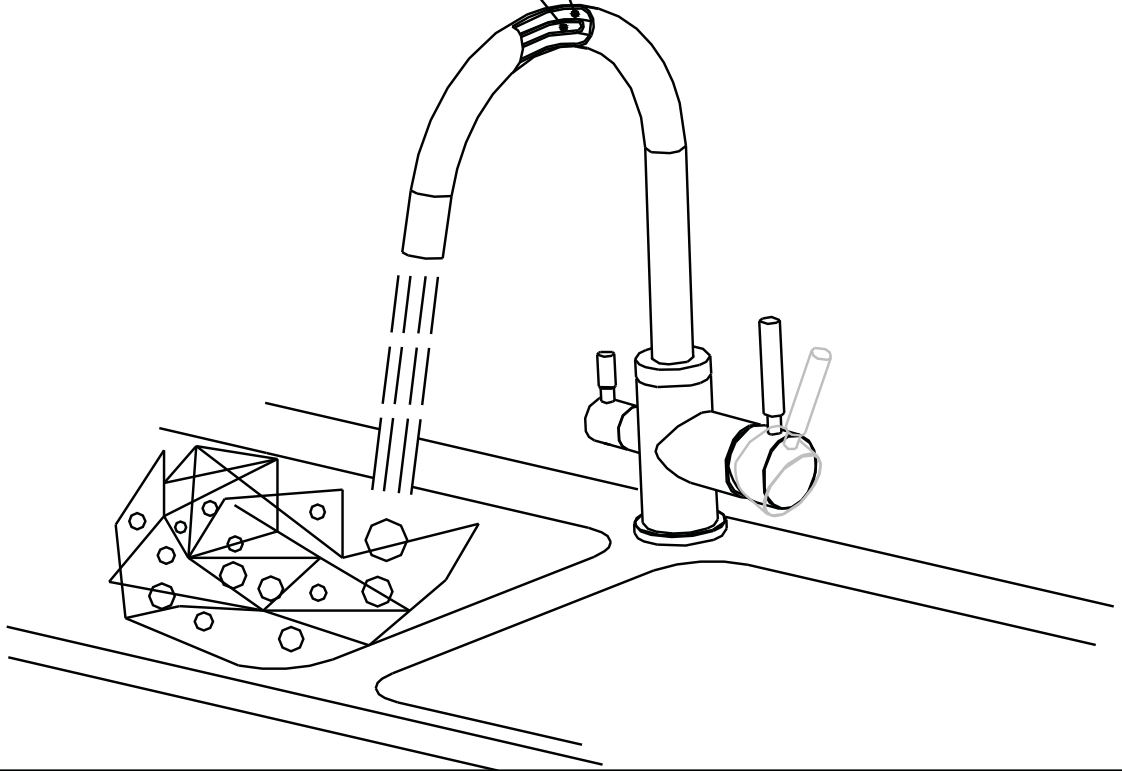


Step 6



Step 7

Mixed water channel  
Drinking water channel



Step 8

Mixed water channel  
Drinking water channel

