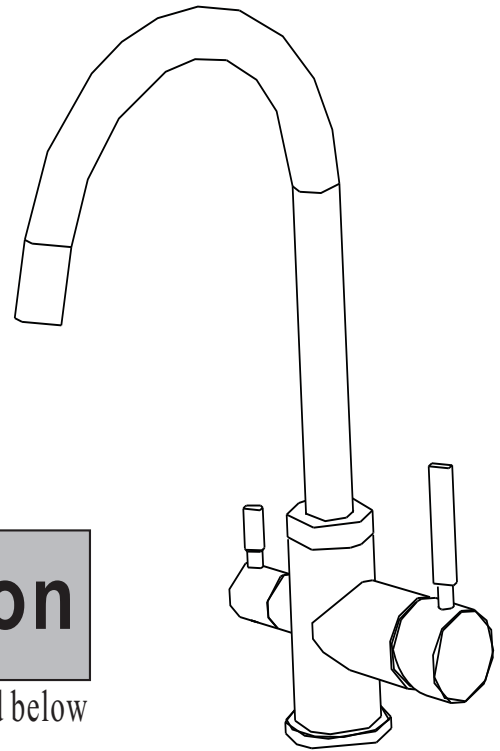


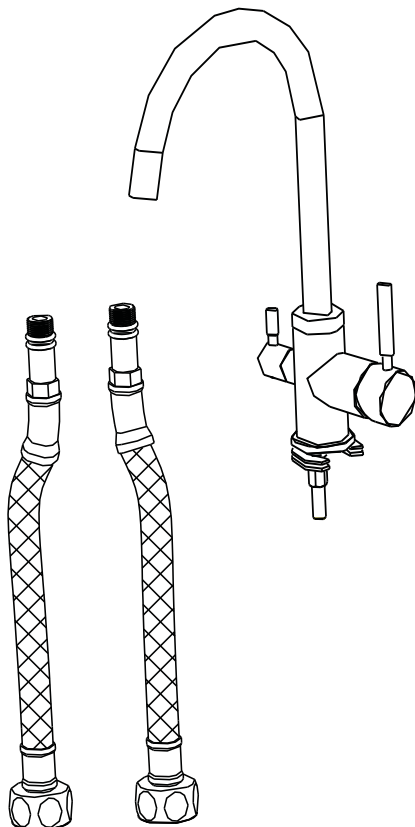
Installation Instruction

Three Way Kitchen Faucet

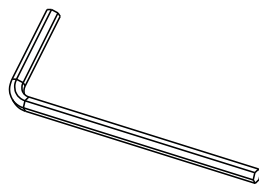


Before your installation

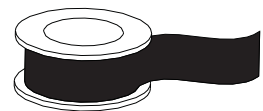
please check to make sure you have the following parts indicated below



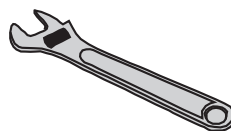
Tools you will need



Allen wrench (2.5mm)



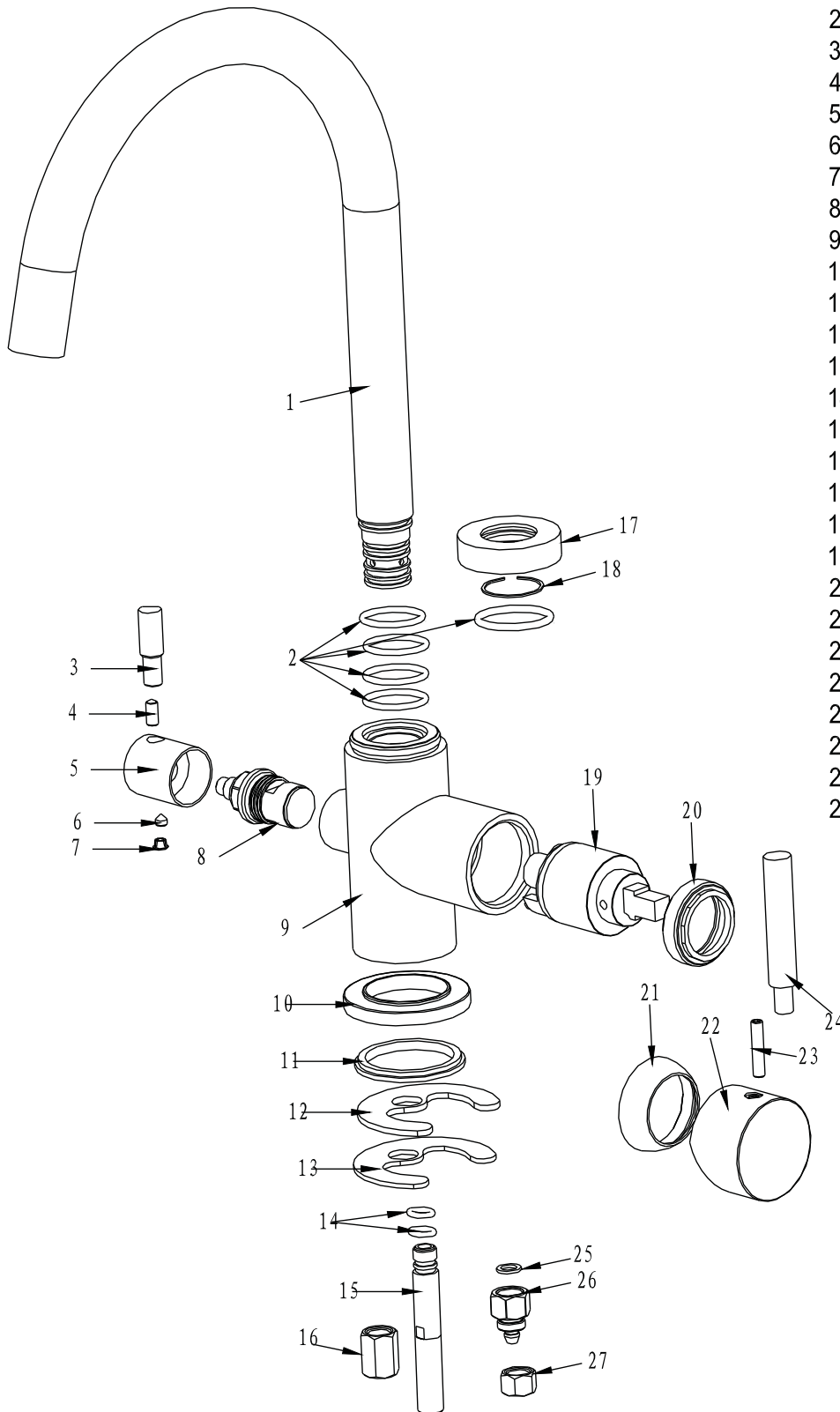
Pipe tape



Monkey wrench

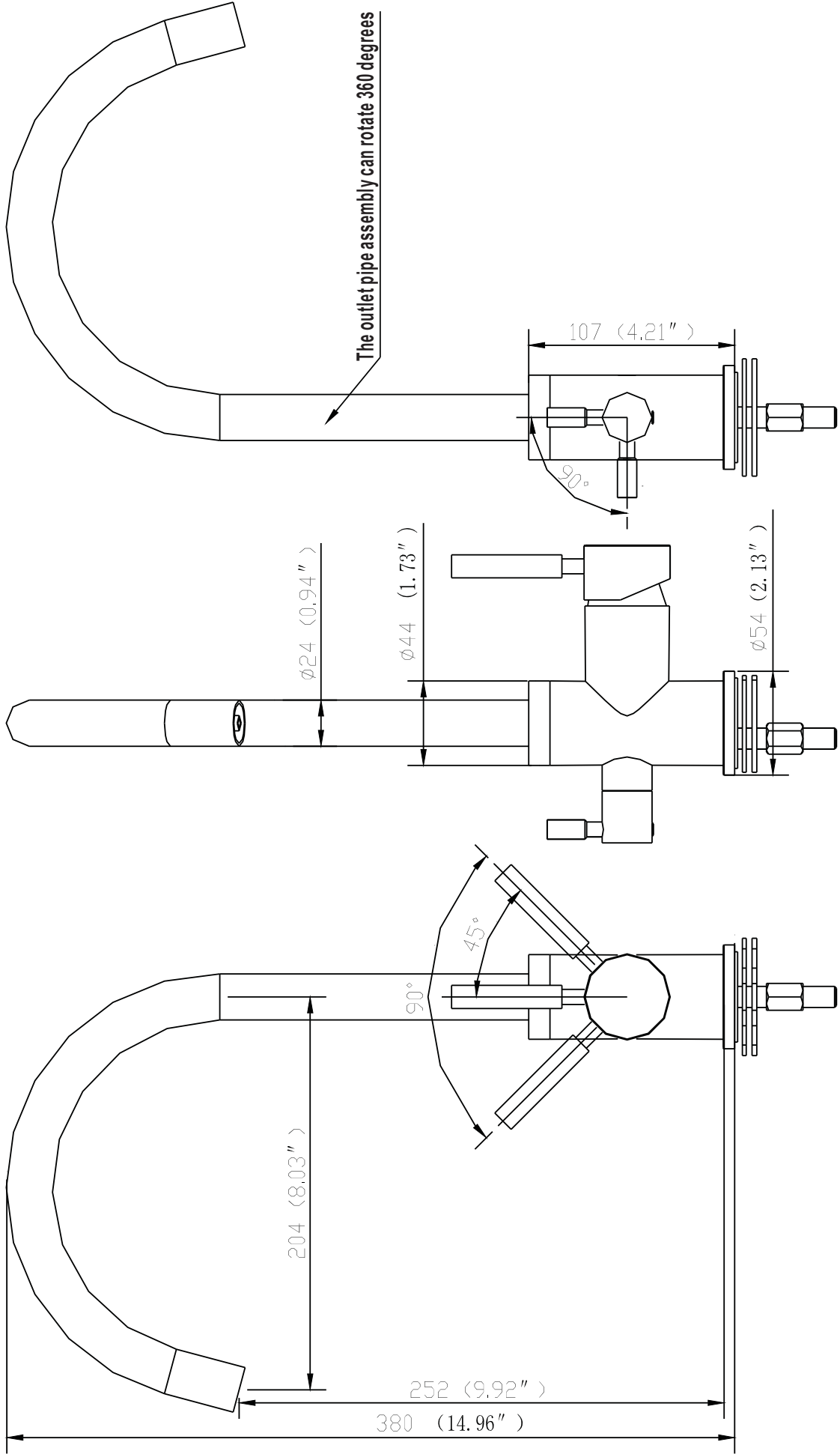
Product Parts Details

Keep this manual for ordering replacement parts



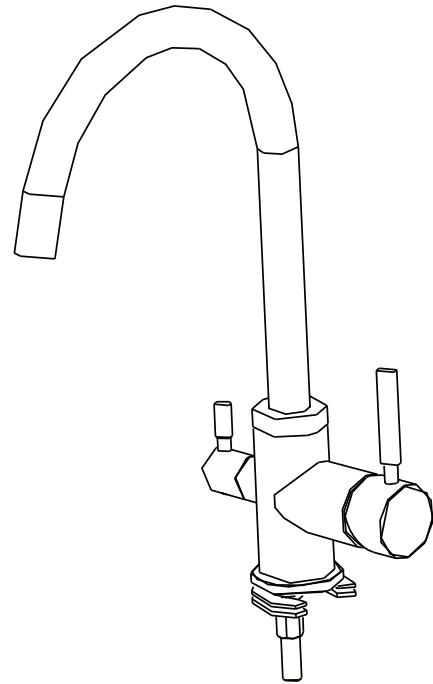
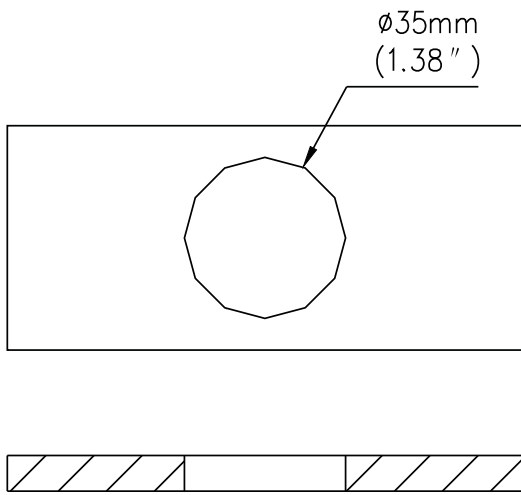
- | NO | NAME |
|-----|------------------------|
| 1. | Spout assembly |
| 2. | O-ring |
| 3. | Handle knob |
| 4. | Screw |
| 5. | Handle |
| 6. | Locking screw |
| 7. | Handle plugs |
| 8. | Cartridge |
| 9. | Female allen screw |
| 10. | Index |
| 11. | Rubber pad |
| 12. | Rubber pad |
| 13. | Stainless steel gasket |
| 14. | O-ring |
| 15. | Inlet pipe |
| 16. | Nut |
| 17. | Copper sleeve |
| 18. | Gasket |
| 19. | Cartridge |
| 20. | Cartridge platen |
| 21. | Head cover |
| 22. | Handle body |
| 23. | Screw |
| 24. | Handle knob |
| 25. | Flat washers |
| 26. | Coupling nut |
| 27. | Locking nut |

Product Dimension Drawing

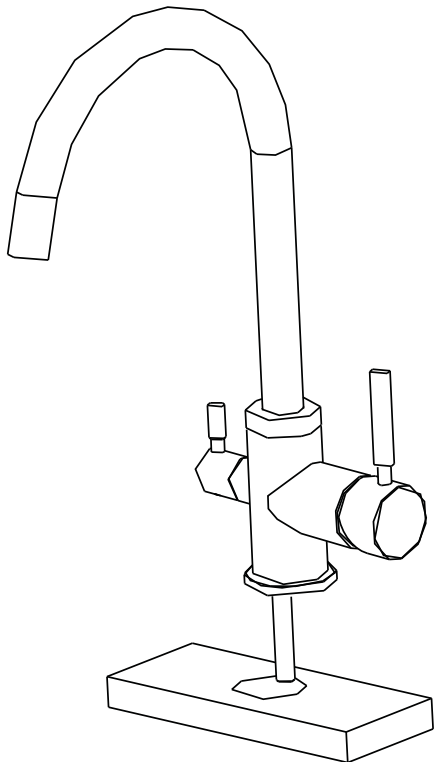


Faucet Installation Procedures

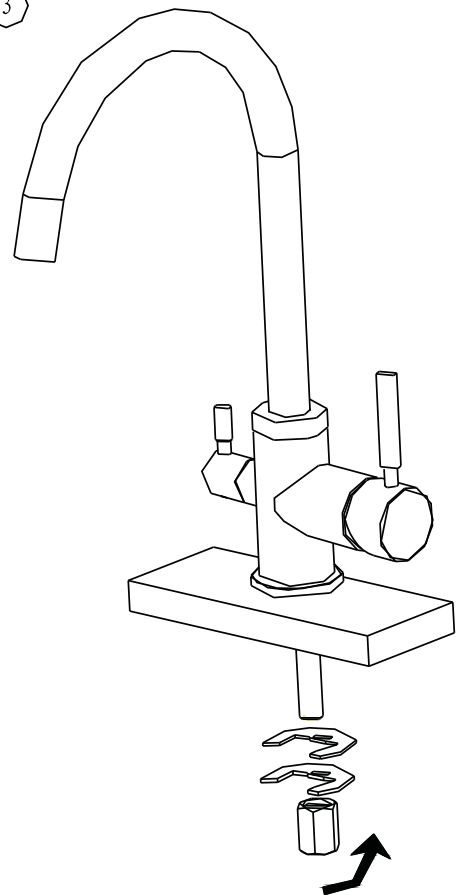
Step ①



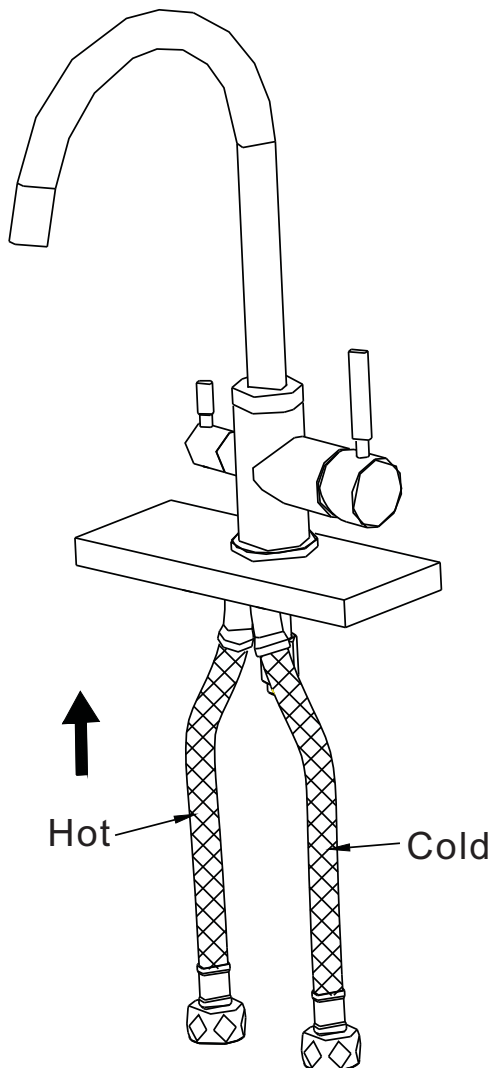
Step ②



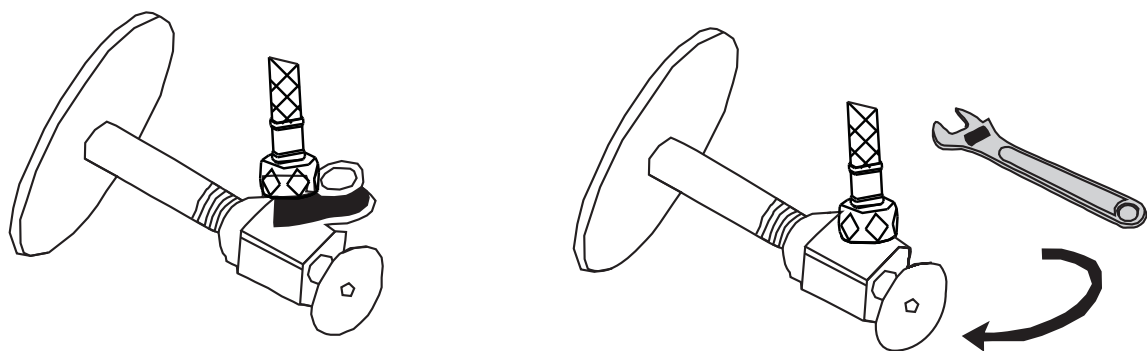
Step ③



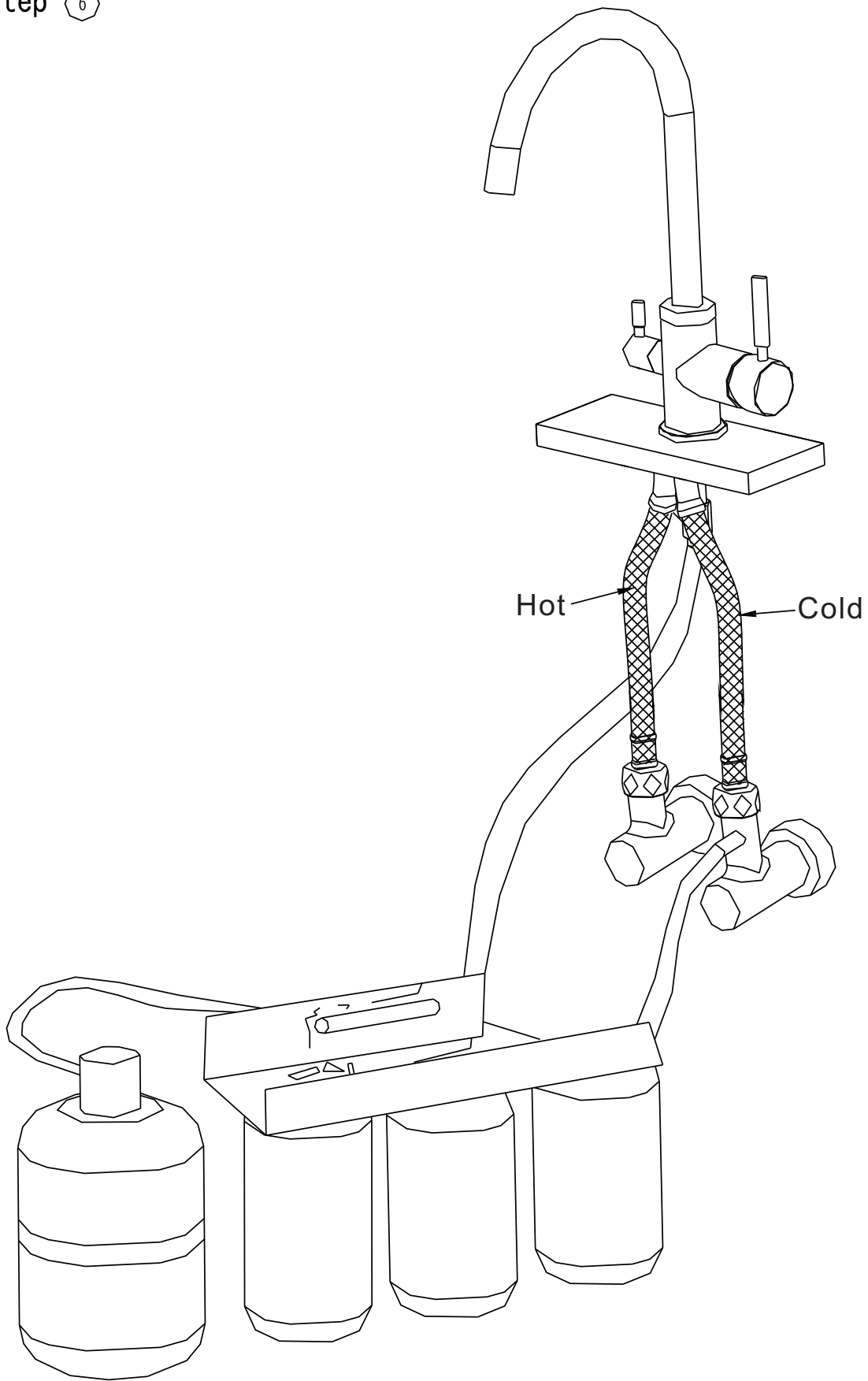
Step 4



Step 5

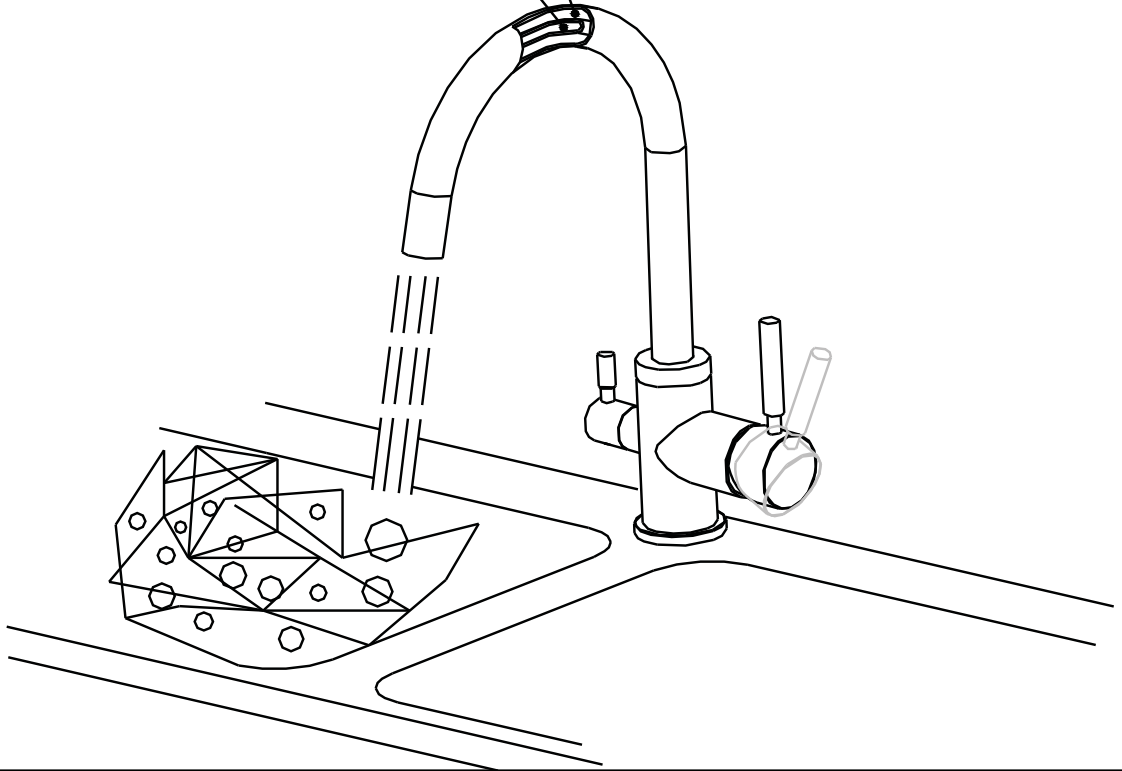


Step 6



Step 7

Mixed water channel
Drinking water channel



Step 8

Mixed water channel
Drinking water channel

