

WATER FILTRATION UNIT Installation Instructions

(Please refer to diagram overleaf)

TAP

- Using 1/2" drill bit or cone drill, drill a hole through the sink top to locate the desired position.
 - Insert the tap base through the large aperture washer/base
 - Insert tap through the hole that you have drilled.
 - Locate small aperture washer/base on under side of sink top, with flat surface to sink, and tighten firmly with metal lock washer (5) and small nut (6) provided.
 - Screw small pushfit (hand tight - do not over tighten).
- * For long reach taps only please remove coloured tubing from body and firmly push spout into position

SELF PIERCING OPELLA VALVE (TAP) CONNECTION

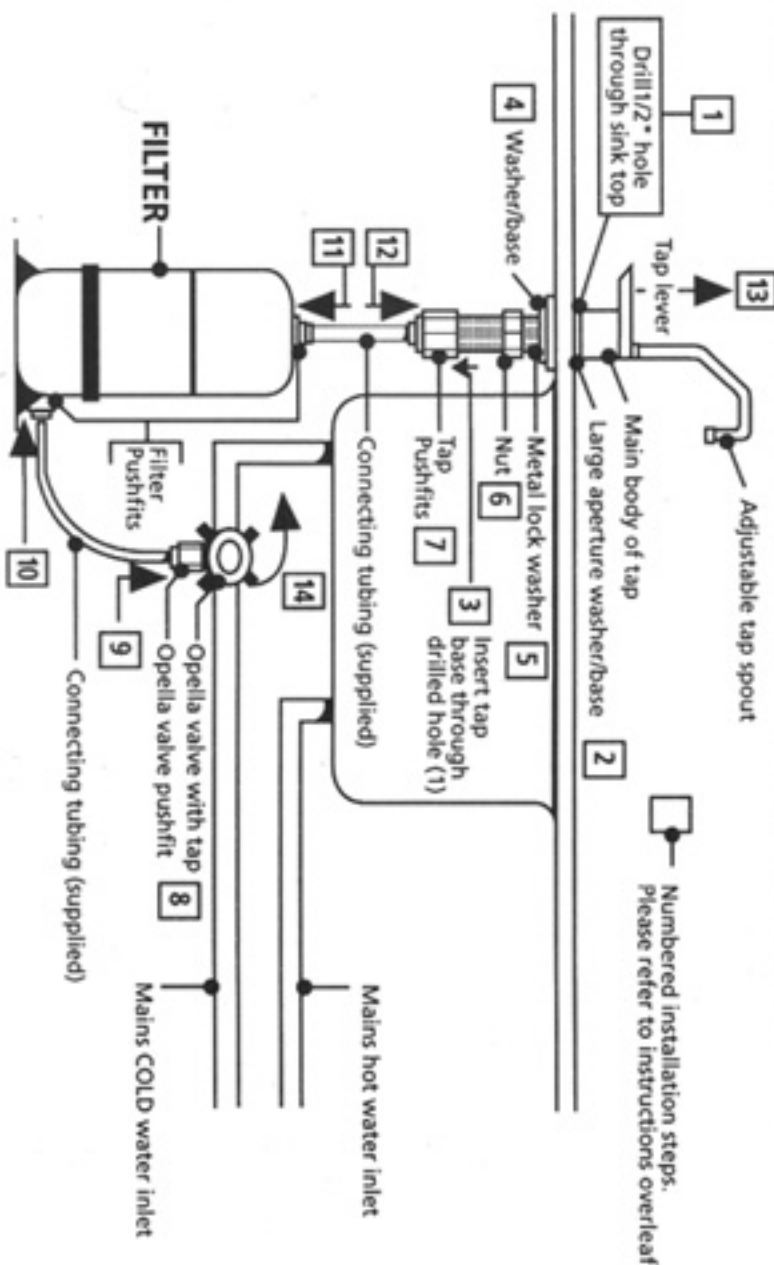
- This is supplied complete with a mandatory non return valve and should be installed according to the simple instructions supplied with it. N.B. This valve **MUST** be fitted to the mains COLD water inlet only. When installing the Opella valve please ensure that the tap is in the **FULLY CLOSED/OFF** position (tap turned fully clockwise).



EAST MIDLANDS WATER COMPANY

TYPICAL 'SYSTEM 40' WATER FILTRATION SYSTEM

Helpline: 0116 276 3334



FILTER UNIT

Stand unit upright in a convenient location under the sink. Measure the length of tubing (supplied) from the Opella valve pushfit to the base of the unit. Allow enough tubing to form gentle curves. Do not kink the tube. Cut to length with a sharp knife. Repeat above from top of filter to the tap pushfit.

- Insert tubing into Opella valve pushfit. Gently push in until a resistance is felt, then push in firmly. Tubing will slide in approximately a further 5mm and will self lock securely in place giving a water tight and maintenance free connection.
- Repeat (9) above with pushfits in base of filter unit, and from top of filter to tap push.
- Open tap lever to upright (constant flow) position. This is to prevent air pressure build up stopping the water flow through the system when completing (14) below.
- Gently open the Opella valve tap to allow water to enter and completely fill the system. The first drops of water that flow from the tap may be dark in colour. **THIS IS PERFECTLY NORMAL.**

Leave water running for approximately 15 minutes to saturate the filter. Move tap lever to closed (horizontal) position.

YOUR FILTER IS NOW READY FOR USE



EAST MIDLANDS WATER COMPANY

SYSTEM 40 WATER FILTRATION SYSTEM

Installation Instructions

Thank you for purchasing your System 40 Water Filter. Once properly installed this product will give you quality drinking water for 3 years or 40,000 litres, whichever is the sooner

The System 40 Water Filter consists of:

- One B.T.I Water Filter
- One Drinking Faucet
- One Opella Self Cutting Valve
- Length Blue Tubing

Fitting Kit consisting of:

Opella push fit, Tap push fit, Large aperture washer, washer base, metal lock washer, Brass nut.

Warranty card