

Ø|^* æ &^Á@^^Á æ Áæ



Product features:

- Metal construction throughout
- Push the cold lever backwards for crystal clear filtered water, easy to change, high quality carbon filter
- Supplied complete with installation kit and filter cartridge
- Quarter turn handle action for precise flow control
- Antisplash spout supplied as standard

Additional information / Parts included:

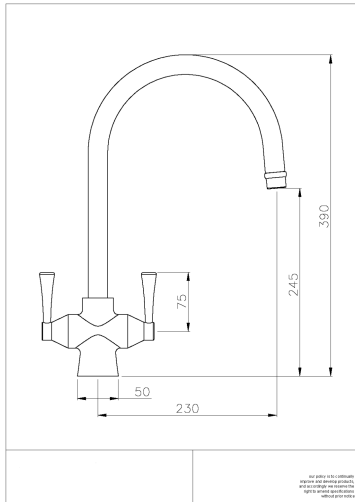
Packaged properties:

Box length: 430mm **Box depth:** 70mm
Box width: 340mm **Units per outer:** 5

Tap only weight: 1.875kg

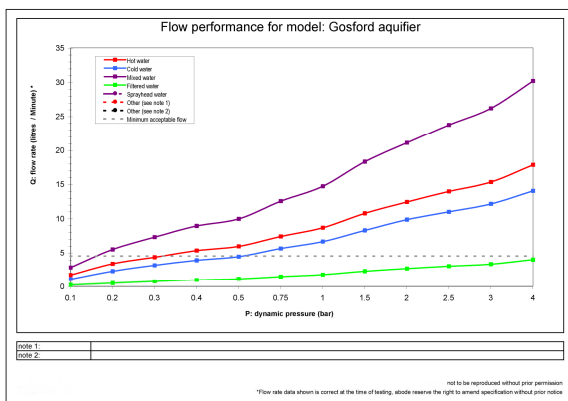
Boxed weight: 2.474*kg

Product dimensions:





- **Overall Height / projection:** 390 mm
- **Exit reach:** 230 mm
- **Exit height:** 245 mm
- **Centre distance(s):**
- **Base diameter(s):** 50 mm
- **Reccomended hole diameter:** Ø 35 mm
- **Max. surface depth:** 65 mm
- **Spout diameter:** 24 mm
- **Spout aerator size:** 22f

Product flow characteristics:



- **Min / Max water pressure:** 0.30 / 5.5 bar
- **Reccomended / Max water temperature:** 46°C / 70°C
- **Control valve type:** Ceramic disc QT
- **Product flow characteristics:** (C&F / H) dual flow
- **Non return valve(s):** No, none required
- **Aerator type:** Flow straightener
- **Accepts revolve / spray aerator:** Yes
- **Spout connection method:** Grub screw
- **Tail pipe inlet / outlet size:** M12 / 15mm Ø
- **Inlet pipe type / length:** copper rigid tube / 245 mm

Order code:	Chrome	Brushed Nickel	English Gold	Antique Bronze	Stainless Steel	Chrome & Black	Chrome & White
	 AT2005	 AT2006					

Warranty Summary (Full details available on request):

- Materials and workmanship defects warranted for 5 years
- Valves and working parts warranted for 2 years
- Surface warranty defects warranted for 1 year
- O-rings, hoses & gaskets warranted for 1 year

Care instructions:

- Clean the mixers and showers regularly as required, using soap, do not use any other cleaners.
- Regular cleaning will prevent the build up of lime scale and dirt
- After cleaning rinse thoroughly with clean water to remove any cleaner residue
- Residues of sink & worktop cleaners can also cause damage, so rinse with clean water after using, avoid contact with any abrasives