

Memo

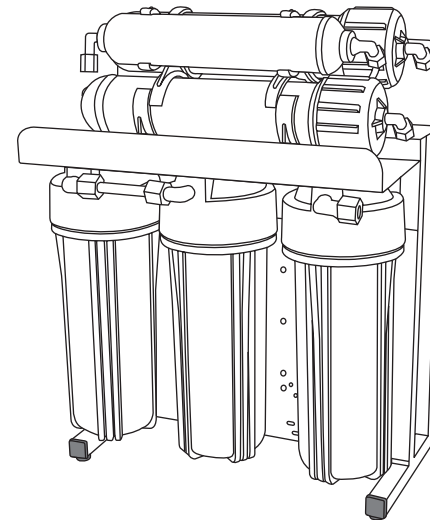
Type of product			
Date of purchase			
Name		Tel	
Address			

DRINKING WATER SYSTEM

REVERSE OSMOSIS SYSTEM

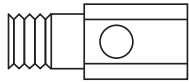
USER'S MANUAL

- 01 Introduction of DFRO400
- 02 What is Reverse Osmosis
- 03 Components & Selections
- 04 Cartridge filters
- 05 The parts DFRO400
- 06 Tubing connection diagram
- 07 Installation diagram
- 12 Change filters
- 13 Change RO membrane
- 14 Operation regulations
- 16 FAQ
- 17 Maintenance checking list
- 19 Memo

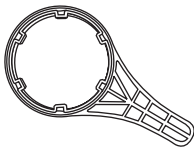
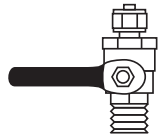


Components & Selections

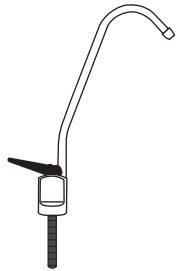
◆ Components



Feed water connector



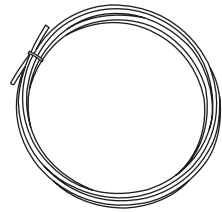
Housing wrench half-circle



Long reach faucet

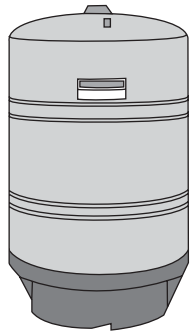


RO membrane x 2

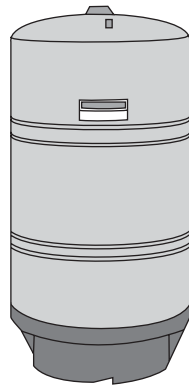


7 meters tubing white

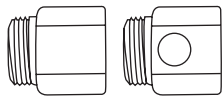
◆ Selections



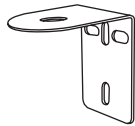
20G water storage tank



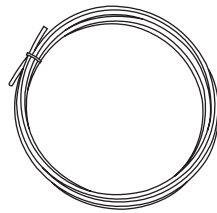
30G water storage tank



6/8 hot & cold water deliver-valve



standing faucet bracket



3/8 extended RO tubing white

Q: What is the guarantee on the PurePro system ?

(excluding filters) is guaranteed for 1 year for material and workmanship. All defective parts will be replaced free within the first year under natural breakdown. The membrane has one year pro-rated guarantee.

Q: What factors affect the quantity and the quality of the water production?

There are four major variables to consider:

- 1. Pressure**-The greater the water pressure, the better water quantity and quality it produced. Water pressure of 60 PSI is ideal.
- 2. Temperature**-76°F is the ideal water temperature for R.O. 40°F water will cause the production of R.O. water to fall to half of that at 76°F. The maximum water temperature recommended is 85°F.
- 3. Total Dissolved Solids (TDS)**-The higher the amount of dissolved contaminants in the water, the lower the quantity of water produced. A high level of TOTAL DISSOLVED SOLIDS can be overcome with additional water pressure.
- 4. Membrane**-Different membranes have different characteristics. Some produce more water than others; some have better contaminant rejection capabilities; some have greater resistance to chemical abrasion for longer life. PurePro system includes RE1812-70 The Thin Film Composite (TFC) membranes combine the best of these characteristics and are considered the finest membrane in the world.

Q: My RO system is not making any water. What should I do?

1. Make sure you plug in electricity.
2. Check the water supply. Make sure it's on.
3. Check if pumps work well.

If none of above occur, please contact a technician at the nearest shop for assistance.

Q: Why can't my water storage tank make enough water?

1. Switch off the water supply and turn on the faucet.
2. Check the water flow from the faucet. If water stop coming out, check the water storage tank.

Water tank still has water: the tank water pressure is under regular water pressure → give pressure to the tank.





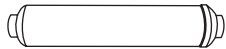
Operation regulation

- A. With everything connected, turn on the water check for leaks.
- B. Make sure the storage tank shut-off valve is "OFF". Open the sink top faucet.
- C. Within a few minutes (up to 15) the water will start to run from the faucet slowly.
- D. Let the water run for at least 30 minutes. This flushes the carbon filters on first time use.
- E. After initial flushing, open the shut-off valve on the tank and close the sink top faucet.
- F. Tank will now full of water (usually 2 to 3 hours) after the tank has filled. Open the sink top faucet and drain all water until the storage tank is empty and there is only a small flow from the sink top faucet.*** DO NOT USE FIRST TANK OF WATER.***
- G. Close the sink top faucet. The system is now ready for use.
- H. Change filters regularly every 6 to 12 months and have the membrane checked annually.

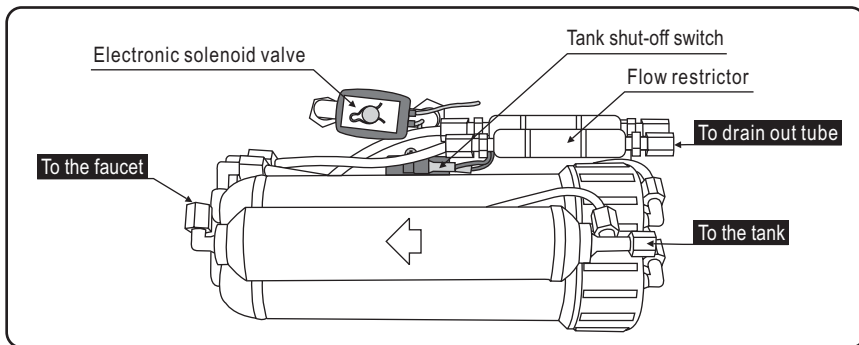
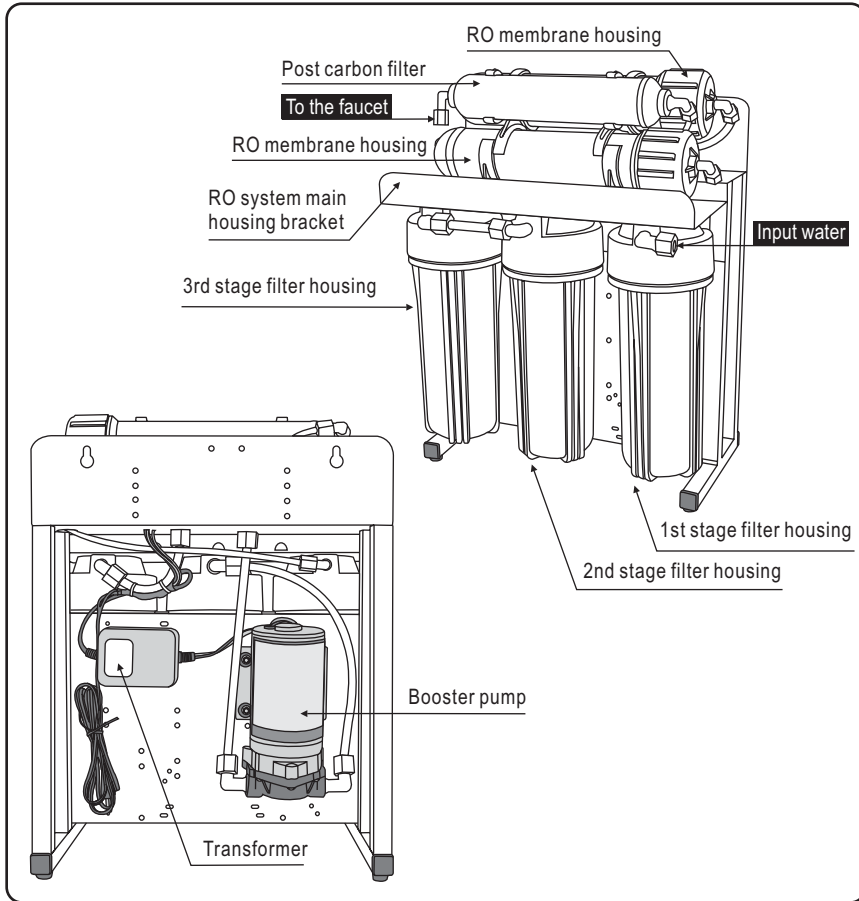
Caution

1. Do not use hot water (over 45°C)!
2. Do not freeze the machine!
3. Switch off electricity and water source if away for more than 5 days, and drain out pure water.

Cartridge Filters

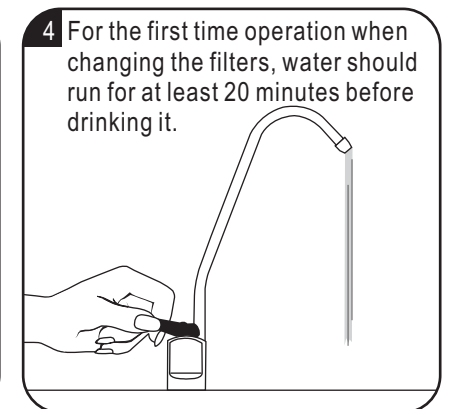
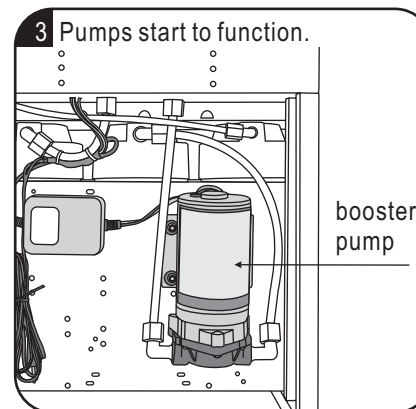
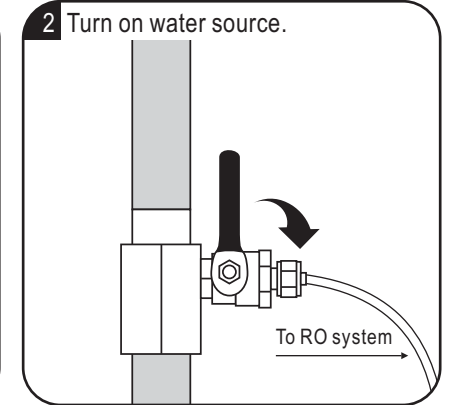
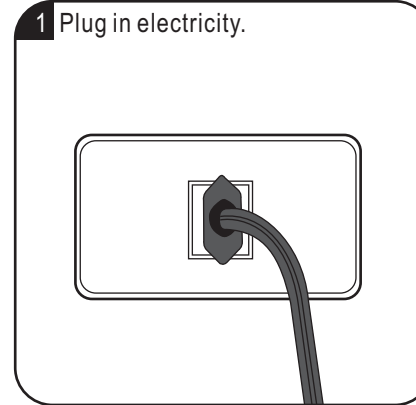
Cartridge Filters	Filter Description	Service Life
<p>Stage 1 5 micron Sediment Filter</p> 	<p>This 5micron sediment filter is made of 100% pure polypropylene fibers. High capacity filter removes dusts, particles and rusts.</p>	3 Months
<p>Stage 2 Granular Activated Carbon Filter</p> 	<p>This granular activated carbon filter is composed of high-performance activated carbon that removes free chlorine, odor, organic contaminants, pesticides and chemicals that contributed to taste and odor.</p>	3 Months
<p>Stage 3 Block Carbon Filter</p> 	<p>This block carbon filter is composed of high-performance carbon that removes free chlorine, odor, organic contaminants, pesticides and chemicals that contributed to taste and odor.</p>	3 Months
<p>Stage 4~5 200GPD TFC membrane 2 pcs</p> 	<p>200 Gallon Per Day Membranes are now available in residential sizes. Designed to perform in operating conditions similar to most standard under-the-counter home RO units, the TW30-1812-200 forms a tight fit in most standard residential housings.</p>	1 Year
<p>Stage 6 Post Carbon Filters</p> 	<p>NSF approved. This post carbon filter is designed to improve taste. It removes any residual impurities and odors from the tank and provides a finer conditioning of pure water.</p>	1 Year

The parts of Super 380



Super 380 High Capacity Reverse Osmosis System

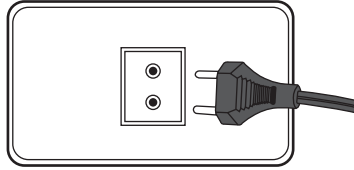
Operation regulation



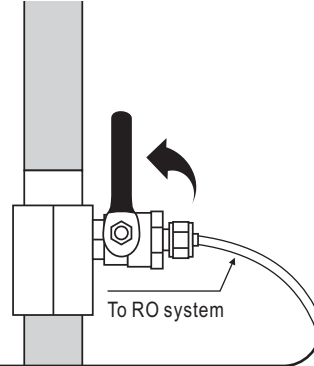
Super 380 High Capacity Reverse Osmosis System

Change membrane

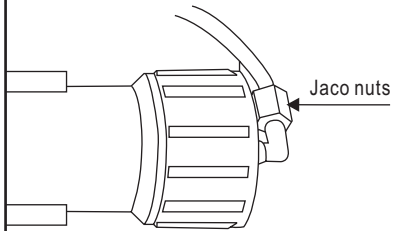
1 Unplug electricity.



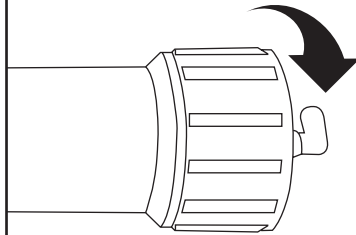
2 Turn off water source.



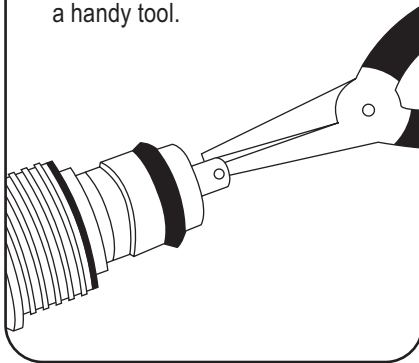
3 Loose the Jaco fitting anti-clockwise.



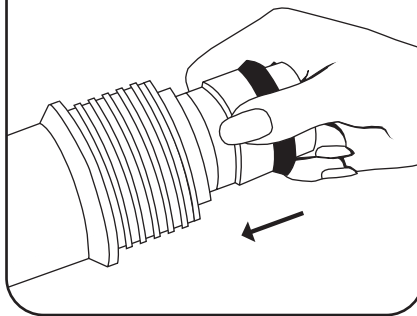
4 Open the RO membrane housing anti-clockwise.



5 Take out the old RO membrane with a handy tool.

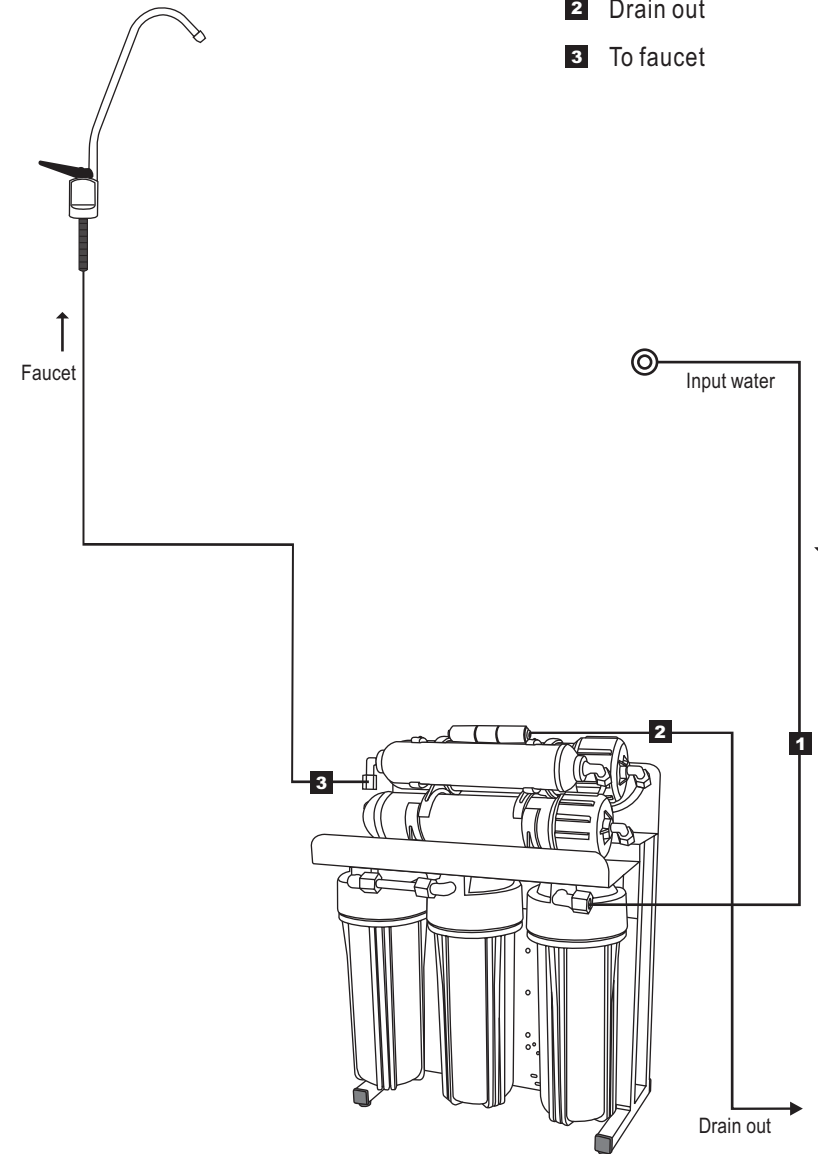


6 Insert a new RO membrane.



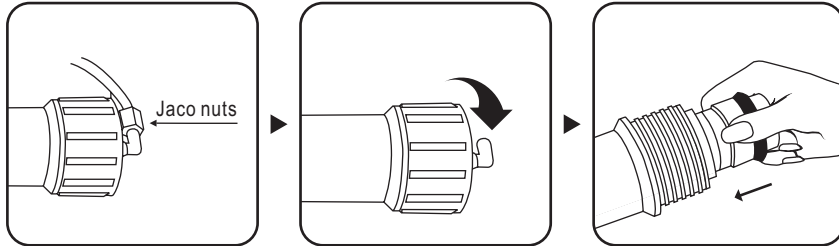
Tubing connection diagram

- 1 In
- 2 Drain out
- 3 To faucet



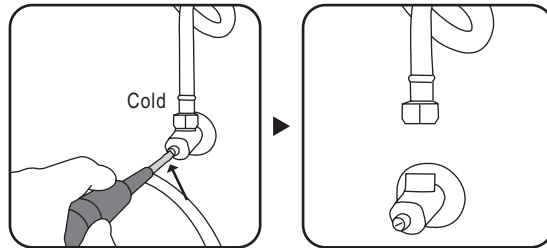
Installation diagram

1. Loosen the fitting nuts and the cap from the RO membrane housing as shown in the picture. Unpack the RO membrane and insert to its housing (rubber gasket towards to the open end). When completed, tighten up the cap with the RO membrane housing and the jaco fittings.

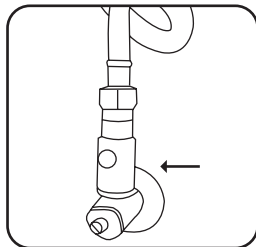


2. Turn off the water supply. Loosen the stainless steel pipe connector.

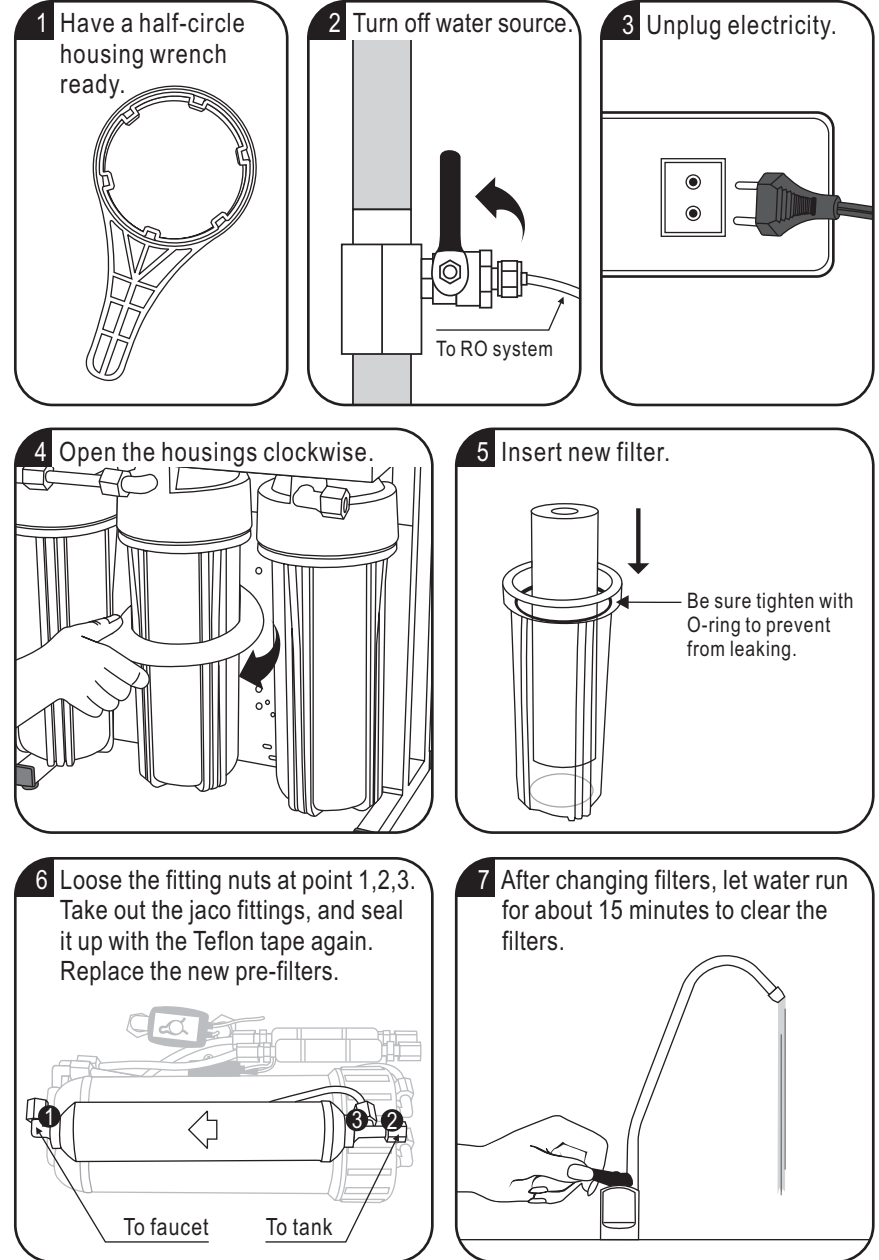
07



3. Get feed water connector and connect it to the stainless steel pipe as in the picture 2.

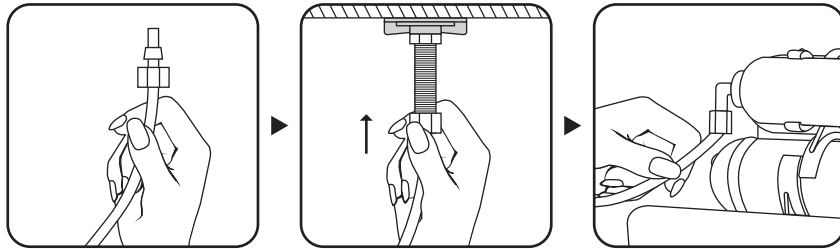


Change filters

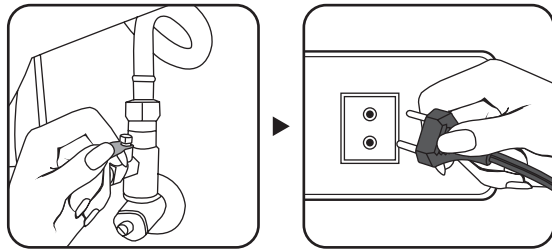


Installation diagram

9. Take tubing white. Wear the concave type screw on tubing white and insert the tubing shroud as shown in the picture. Connect the tubing top with the faucet end. Then connect the tubing end to the last stage filter (as point 3 on page 06)



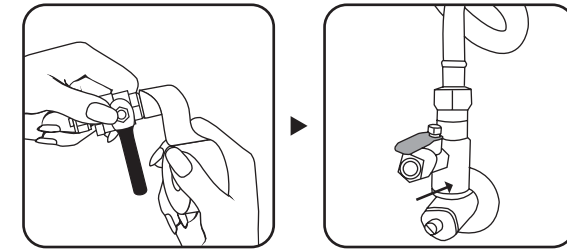
10. Make sure that you complete No. 1 to No. 9. If so, switch on water supply and plug in electricity.



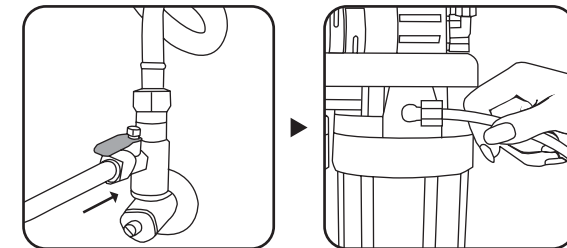
PS. Do not use drink water from the first made water in the tank.

Installation diagram

4. Get deliver valve and seal it with Teflon tape for 14 circles. Then connector it with the feed water connector.

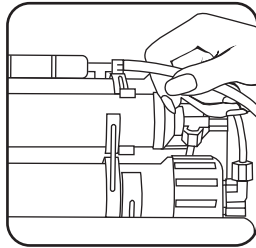


5. Get tubing white, connect it with deliver valve and the inlet water supply (as point 1 on page 06)

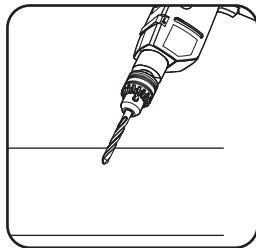


Installation diagram

6. Take tubing white again, connect it with the drain out (as point 2 on page 06)

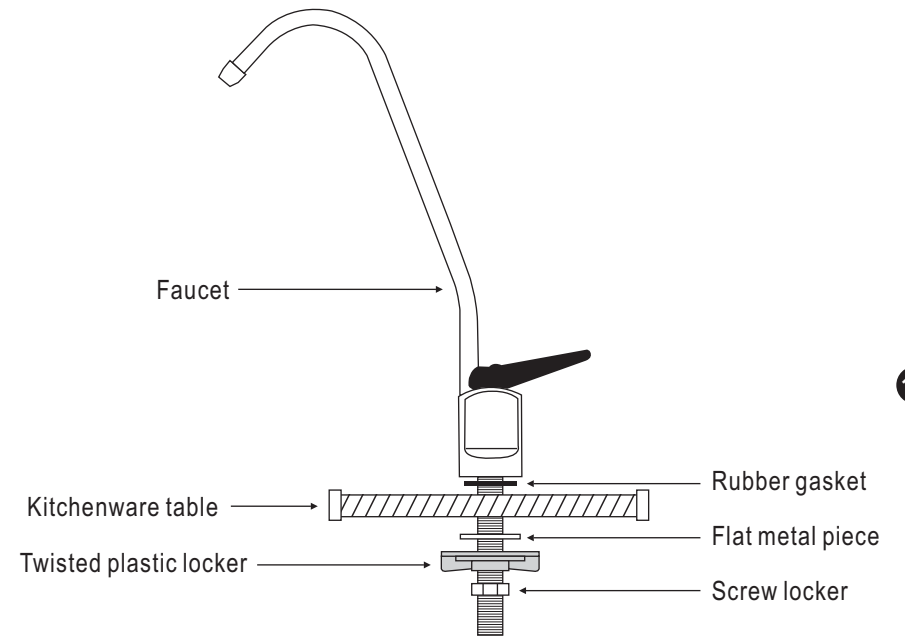


7. Use an electric drill and drill an approximately 1 cm hole through the kitchenware table.



Installation diagram

8. Take out the faucet and its components. Install the faucet and the rubber gasket to the kitchenware table. Install the rest of component as shown in the picture.



PS. To suit your kitchenware table, you can choose to have twisted plastic locker or screw locker to be installed for your faucet.